

OS-6338IP **GAV** HAVALI SOMUN SÖKME

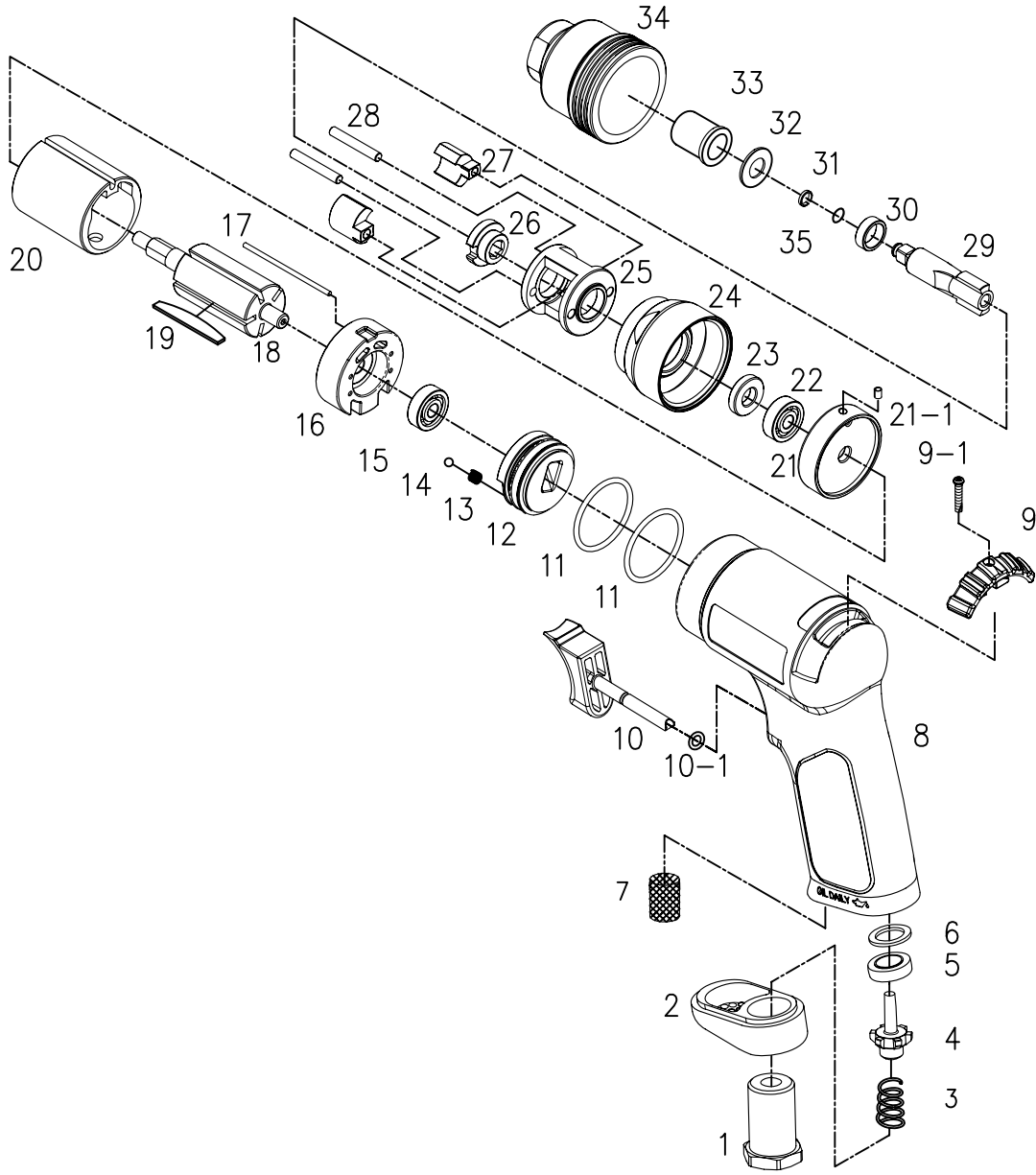


FIG NO.	PART NO.	DESCRIPTION	PCS	FIG NO.	PART NO.	DESCRIPTION	PCS
1	389501	Inlet Bushing	1	21	633818IP	Front Plate	1
2	633802	Deflector	1	21-1	633842	Spring Pin (2.5X4)	1
3	389503	Valve Spring	1	22	BB608ZZ	Ball Bearing	1
4	328804V	Valve	1	23	556015	Motor Spacer	1
5	328835	Valve Seat	1	24	633844	Impact Adaptor Ring-M2	1
6	328825S	Spacer	1	25	556013	Hammer Cage	1
7	389507	Silencer	1	26	556014	CAM	1
8	633808	Composite Housing	1	27	633846IP	Hammer	2
9	633809	Reverse Valve Lever	1	28	556011	Hammer Pin	2
9-1	633809-1	Screw	1	29	633822IP	1/4" Sq. Anvil	1
10	633810	Trigger	1	30	556004	Anvil Bushing	1
10-1	638013	O-Ring	1	31	633846	Socket Retainer	1
11	633811	O-Ring	2	32	556003	Spacer	1
12	633812	Valve Body	1	33	556002	Hammer Case Bushing	1
13	633847	Spring	1	34	633845	Hammer Case	1
14	SB0003-1	Detent Ball	1	35	OR2512	O-RING	1
15	B626ZZ	Ball Bearing (626ZZ)	2				
16	633813	Rear Plate	1				
17	633817-1	Gvide Pin	1				
18	633815IS	Rotor	1				
19	633816	Rotor Blade	6				
20	633817	Cylinder	1				